



Rectangular shaped LED floodlight designed to replace 100W Metal Halide. Patent Pending airflow technology ensures long LED and driver lifespan. Use for building facade lighting, sign lighting, LED landscape lighting and instant-on security lighting.

Color: Bronze

Weight: 14.8 lbs

| | |
|---------------------|--------------|
| Project: | Type: |
| Prepared By: | Date: |

| Driver Info | | LED Info | |
|--------------|------------------|-----------------|---------|
| Type: | Constant Current | Watts: | 26W |
| 120V: | 0.24A | Color Temp: | 5000K |
| 208V: | 0.15A | Color Accuracy: | 71 CRI |
| 240V: | 0.13A | L70 Lifespan: | 100000 |
| 277V: | 0.11A | Lumens: | 4131 |
| Input Watts: | 29W | Efficacy: | 142 LPW |
| Efficiency: | 89% | | |

Technical Specifications

Listings

UL Listing:

Suitable For Wet Locations. Suitable for mounting within 1.2M(4FT) of the ground.

DLC Listed:

This product is listed by Design Lights Consortium (DLC) as an ultra-efficient premium product that qualifies for the highest tier of rebates from DLC Member Utilities.

DLC Product Code: PAXKT39NP

IESNA LM-79 & LM-80 Testing:

RAB LED luminaires have been tested by an independent laboratory in accordance with IESNA LM-79 and LM-80, and have received the Department of Energy "Lighting Facts" label.

LED Characteristics

Lifespan:

100,000-hour LED lifespan based on IES LM-80 results and TM-21 calculations.

LEDs:

Multi-chip 26W high output long life LED

Color Consistency:

7-step MacAdam Ellipse binning to achieve consistent fixture-to-fixture color.

Color Stability:

LED color temperature is warrantied to shift no more than 200K in CCT over a 5 year period.

Color Uniformity:

RAB's range of CCT (Correlated Color Temperature) follows the guidelines of the American National Standard for (SSL) Products, ANSI C78.377-2017.

Construction

IP Rating:

Ingress Protection rating of IP66 for dust and water

Ambient Temperature:

Suitable For use in 40°C (104°F) ambient temperatures.

Cold Weather Starting:

Minimum starting temperature is -40°C (-40°F)

Thermal Management Housing:

Superior heat sinking with external Air-Flow fins.

Housing:

Die-cast aluminum housing, lens frame and mounting arm.

Mounting:

Heavy-duty Slip Fitter for 2 3/8" OD pipe.

Effective Projected Area:

EPA = 0.75

Reflector:

Specular polycarbonate

Gaskets:

High-temperature silicone gaskets

Finish:

Formulated for high-durability and long lasting color.

Green Technology:

Mercury and UV free. RoHS compliant components. Polyester powder coat finish formulated without the use of VOC or toxic heavy metals.

Threaded Size:

1/2" threaded arm.

Optical

NEMA Type:

NEMA Beam Spread of 7H x 6V

Electrical

THD:

8.2% at 120V, 17.7% at 277V

Power Factor:

99.1% at 120V, 90.7% at 277V

Driver:

Constant Current, Class 2, 100-277V, 50/60 Hz, 6 kV surge protection, 120V: 0.24A, 208V: 0.15A, 240V: 0.13A, 277V: 0.11A.

Other

California Title 24:

See FFLED26SF/PC, FFLED26SF/PCS, FFLED26SF/PC2, or FFLED26SF/PCS2 for a 2013 California Title 24 compliant model.

Warranty:

RAB warrants that our LED products will be free from defects in materials and workmanship for a period of five (5) years from the date of delivery to the end user, including coverage of light output, color stability, driver performance and fixture finish.

Technical Specifications (continued)

Other

Patents:

The FFLED design is protected by U.S. Pat. D643,147, Canada Pat. 140798, China Pat. ZL201130171304.1, Mexico Pat. 36757 and pending patent in Taiwan.

Equivalency:

Equivalent to 100W Metal Halide.

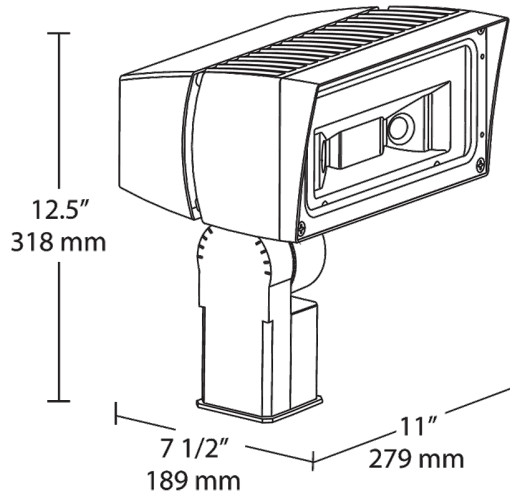
FTC Country of Origin:

This product was assembled in the USA by RAB using imported components.

Buy American Act Compliance:

This product complies with the Buy American Act.

Dimensions



Features

- Ultra efficient LED and optical design
- Replaces 100W MH floodlights
- 100,000 hour life based on LM-80 tests
- Air-flow technology heatsink
- 5-year warranty

Ordering Matrix

| Family | Wattage | Mounting | Color Temp | NEMA Type | Finish | Driver | Photocell Options |
|--------|----------|---------------------------------|---|--------------------------------|----------------|---|---|
| FFLED | 26 | SF | | | | | |
| | 80 = 80W | Blank = Swivel Arm | Blank = 5000K (Cool) | Blank = 7H x 6V | Blank = Bronze | Blank = On/Off /D10 = 0-10V Dimming | Blank = No Option /PC = 120V Photocell |
| | 52 = 52W | SF = Slipfitter T = Trunnion | N = 4000K (Neutral) Y = 3000K (Warm) | B55 = 5H x 5V B44 = 4H x 4V | W = White | /480 = 480V On/Off (not available for 80W models) | /PC2 = 277V Photocell /PCS = 120V Swivel Photocell |
| | 39 = 39W | | | | | | /PCS2 = 277V Swivel Photocell |
| | 26 = 26W | | | | | | /PCS4 = 480V Swivel Photocell |